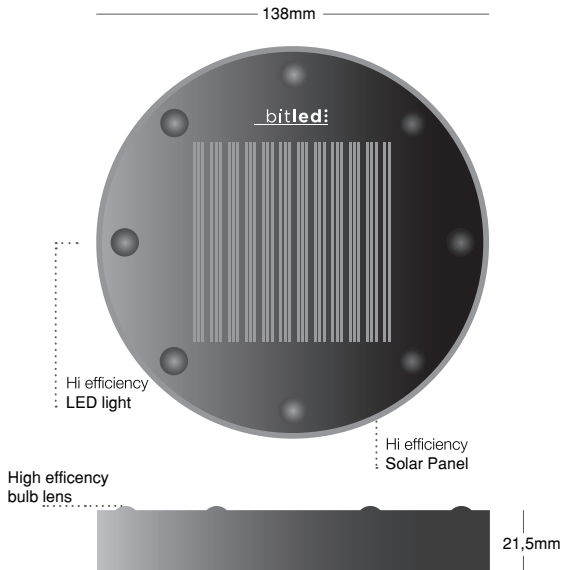




# CIRCLE

## General Dimensions



## Why using **bitled** Solar lamp?

### Product features



No Cabling.  
No connection to  
electricity source required.



Minimum maintenance  
requirements.



Long lasting product.  
Manufactured with top  
quality materials.



Independent and  
self-sufficient light source.



Smart energy  
management.



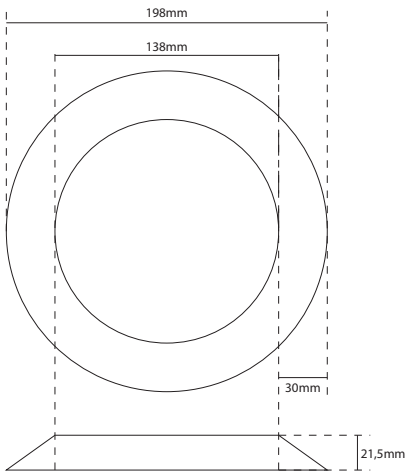
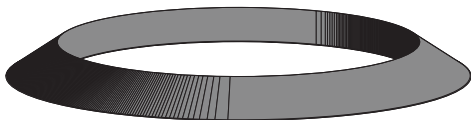
Zero Co2 emmissions.



**bitled** Lighting meets all the requirements of standard EN 60598-2-13 regarding vehicle and pedestrian use and are therefore ideal for lighting all the areas provided for by the regulations, such as car, parks, pedestrian zones and other designated areas.

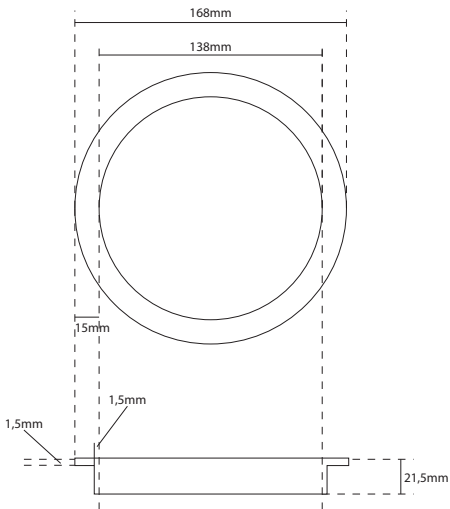
# Flanges

## Protruding Model



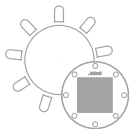
# Flanges

## Recessed Model



## General Analysis

Functions and efficiency



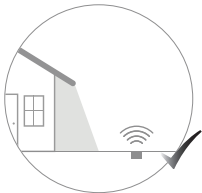
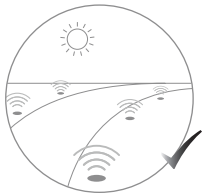
Automatic Operation  
Photovoltaic-photosensitive  
Solar Panel.



Light Colors:  
Warm White, Cool White  
Red, Yellow, Blue, Green.



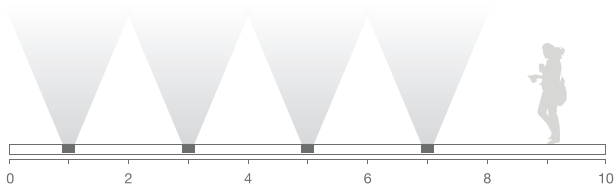
**bited** Solar lamp can  
work more than 5 days  
without a favorable  
weather when fully  
charged



For maximum efficiency we recommend you to install **bited** solar lamp where it can get direct sunshine, free from cover or shade.

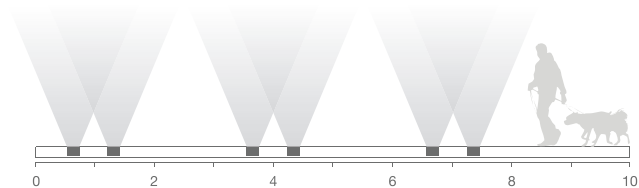
## Lamp spacing

We recommend you to install the lamp with a distance from each other of approximately: 1.10 mts.



## Other compositions

The lamp could also be installed in pairs or groups, in order to have a stronger and more focused light.



## Product specifications

Model	Circle
Weight	0.530 Kg
Material and Colour	Transparent polycarbonate and epoxid resin
Battery type	LiFe PO4
Battery capacity	4 X 600mAh (2400mAh), 3.2V
Max. static load	15kN
Rated luminous flux	30 lumen

Duration	Aprox. 100 hours
Min. charging time	Aprox. 4 to 6 hours
Dimensions	Ø 138mm x 21,5mm
Solar panel output	1.3 Watt

LED model	Philips
Lighting colour	warm white,cool white, yellow,red,blue,green
Battery Oper. Temp	-20° C ~ 60° C



IP68







## Trouble shooting

If your solar charged lamp does not come on at dusk despite the observance of all the instructions please try the following steps:

1. Make sure that the lamp is not being affected by any other light source.
2. Ensure the lamp does not stand in the shade during the day.

## Maintenance

Clear the solar module regularly with a damp towel to guarantee optimum performance of the solar panel.



## Important

This product must be installed by qualified personnel in paving installations. **bited** is not responsible if its fixtures are not installed according to local safety standards.



## Disposal

Electronic devices do not belong to your household waste. Compliant with European Guideline 2002/96/EG for electric and electronic devices, used electronic devices must be collected separately and taken in for environmentally sound re-cycling. Options for disposing of used devices may be obtained from your township, city or municipal government.

### **Incorrect disposal of batteries can harm the environment!**

Batteries can contain poisonous heavy metals and are subject to treatment as hazardous wastes. Take your used batteries to a municipal collection site.

### **Battery to be replaced by experienced personnel only.**

The light source of the luminaire is not replaceable. When the light source reaches its end of life the whole luminaire shall be replaced.

**DESIGNED, DEVELOPED AND ENGINEERED IN ITALY**

Art direction and Graphic design by bitled

Product's architectural aspect coordination by bitled

RECTANGLE model produced by bitled. All intellectual property rights and copyrights are reserved. Nothing contained in this brochure may be reproduced without written permission. All rights reserved.

This document was printed from recycled FSC-certified paper.



